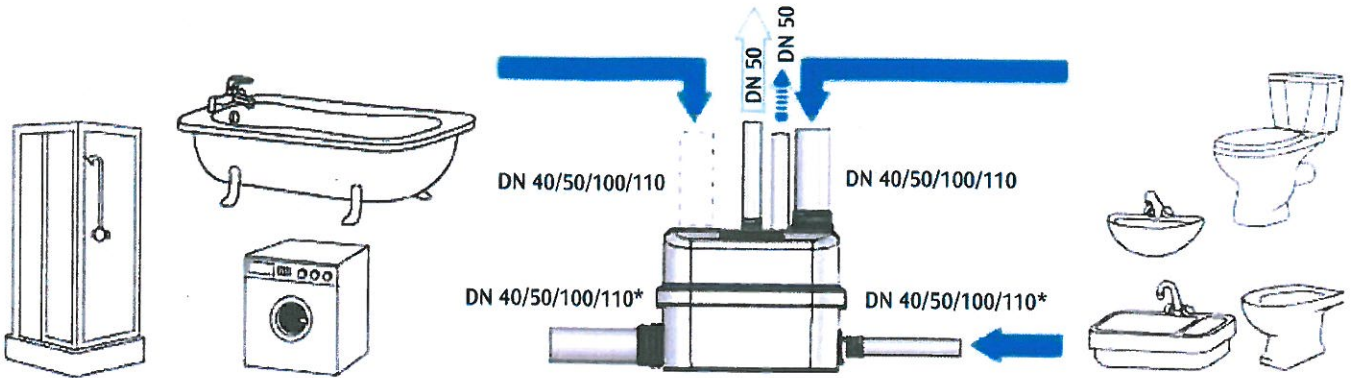


# SANICUBIC 1

## 1. Description



The **SANICUBIC 1** is a lifting station designed to evacuate the waste from up to 2 WCs and multiple other waste water producing appliances. Please comply with all the installation and maintenance specifications set out in these instructions, and especially the information marked with the following signs:



Failure to comply with this information could entail safety hazards for personnel



Information warning of the presence of an electrical hazard



**WARNING** - Failure to comply with this information could affect the normal operation of the equipment.



Instructions only for qualified professional specialists

### SANICUBIC 1 OPERATING PRINCIPLE

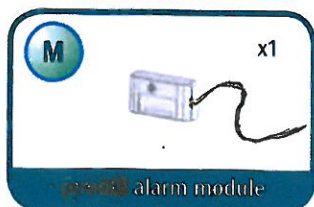
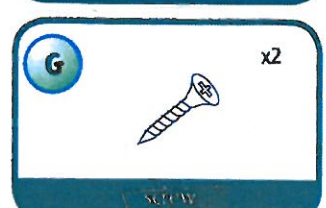
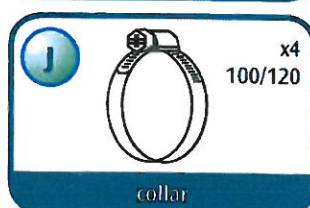
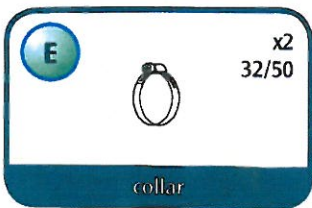
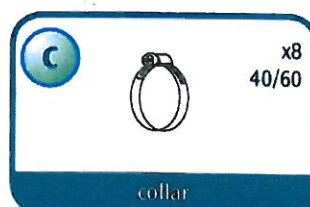
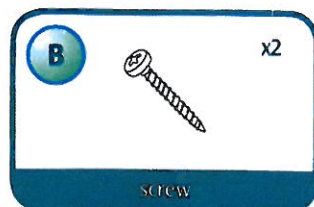
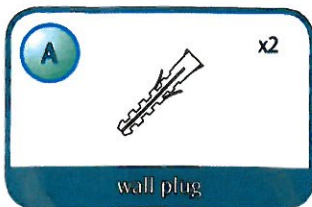
SANICUBIC 1 contains 1 pump equipped with a high performance maceration system.

The **SANICUBIC 1**: tank is fitted with 2 dip tubes; one tube controls motor operation, and the other one controls the alarm system.

- **Long pick up tube** (normal operation); as soon as the waste water level in the tank reaches the triggering point in the long tube, the pumping system starts up.
- **Short pick up tube** (inflow overload operation); if the waste water level in the tank reaches the upper point, a contact is activated. This contact sets off a visual alarm, the LED alarm on the control panel switches to red.

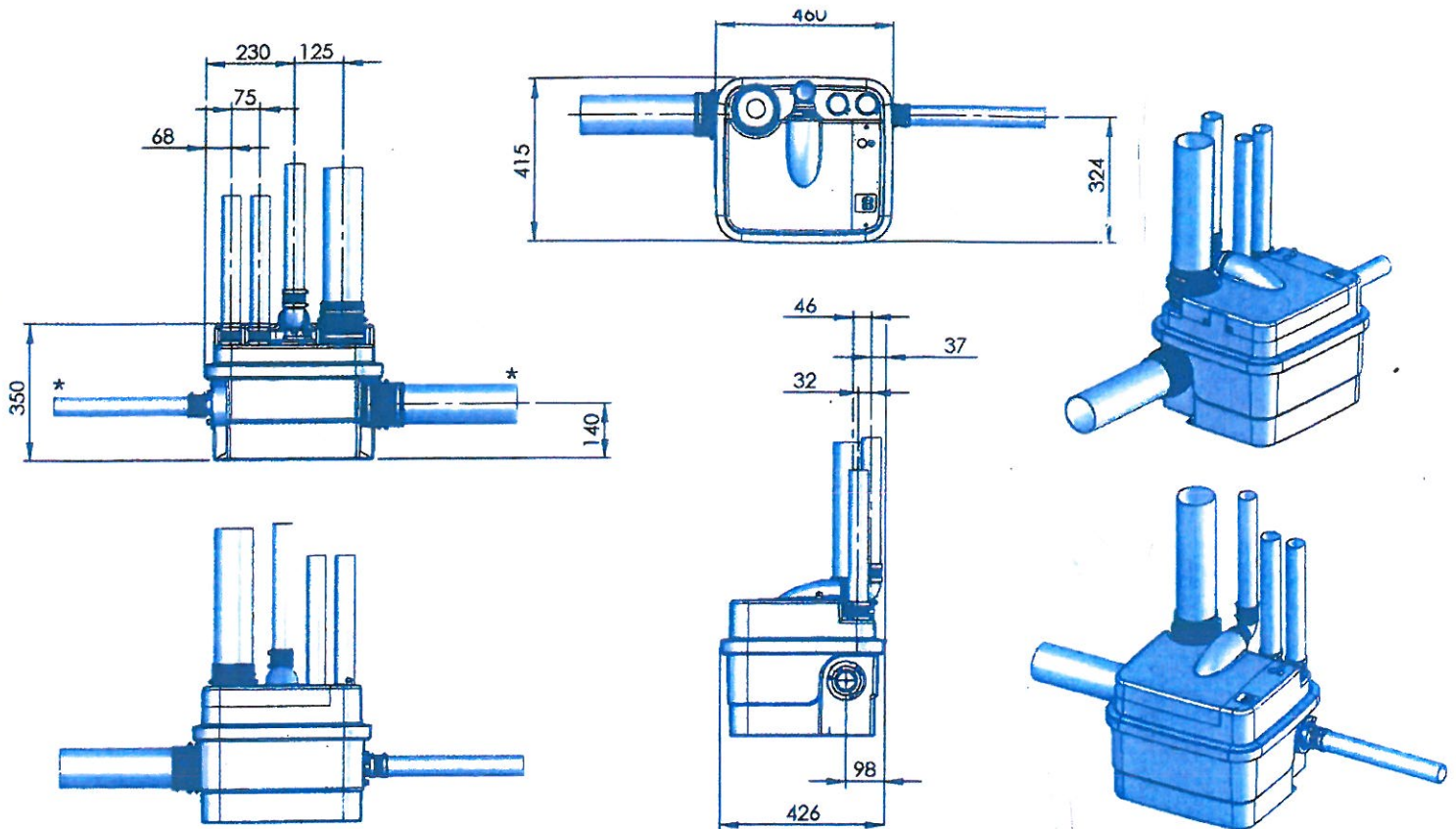
The **SANICUBIC 1** is fitted with an optional alarm unit (cabled, that monitors the equipment's operational status by producing visual signals).

## 2. List of Accessories included



# SANICUBIC 1

## 3. Dimensions and overall measurements



## 4. Technical Data

<b>Type</b>	R350	<b>Maximum current input</b>	6 A
<b>Maximum discharge head</b>	11m	<b>Electrical classification</b>	I
<b>Voltage</b>	220-240V	<b>Ave water temp for optimum performance</b>	35°C
<b>Frequency</b>	50Hz	<b>Maximum temperature (intermittent)</b>	70°C*
<b>Volume</b>	32 l	<b>Protection index</b>	IP67
<b>Maximum power input</b>	1500w	<b>Net weight (including accessories)</b>	16 kg

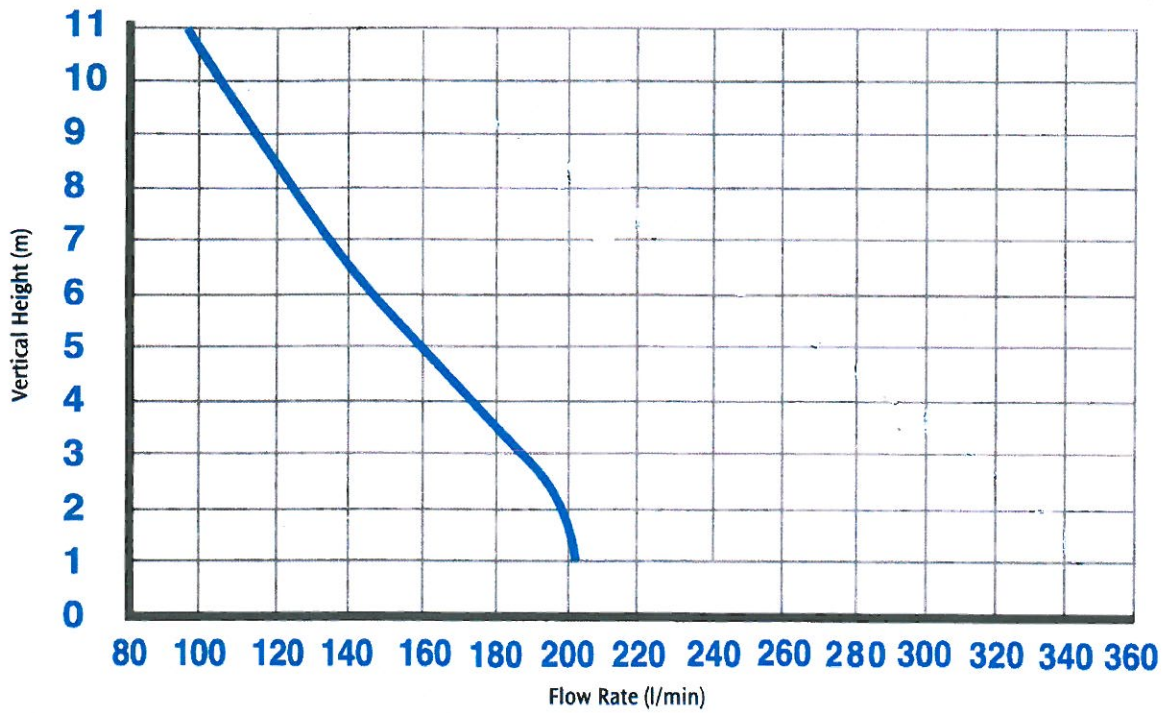
\*Hot water drain cycles from dishwashers or washing machines

## 5. Field of Application

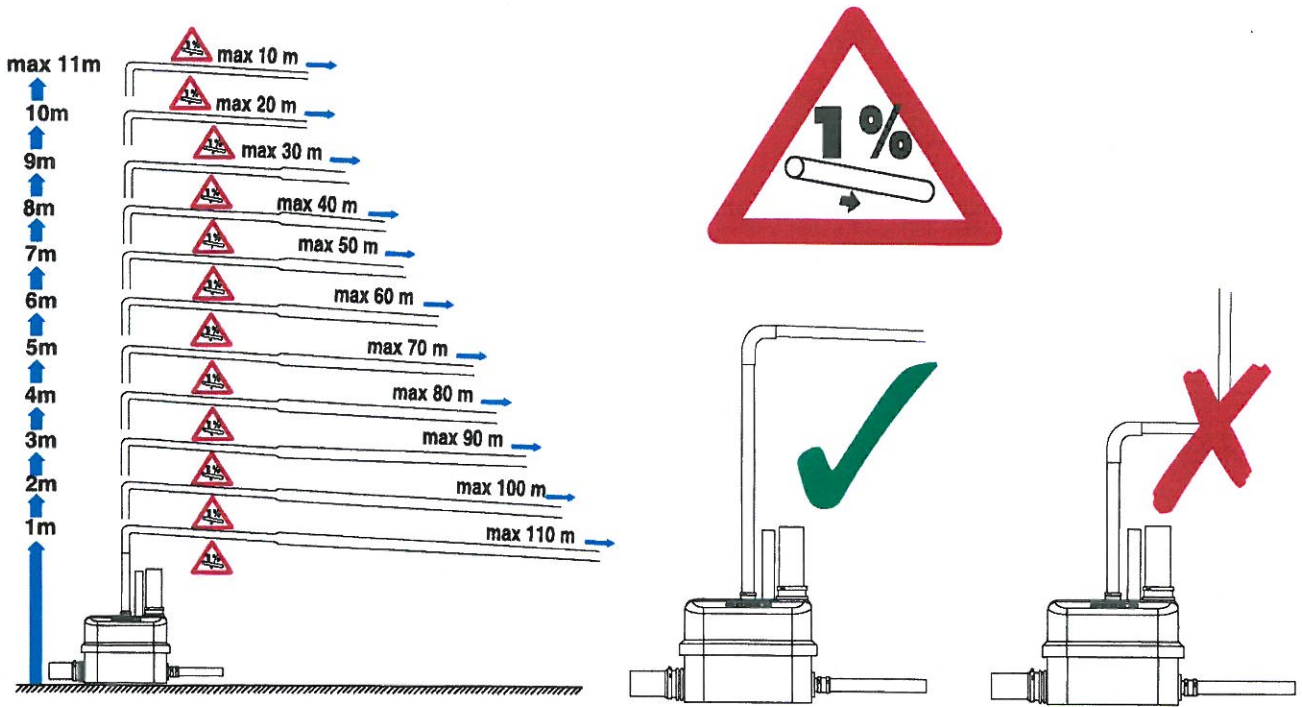
Waste from 2 WCs and other wastewater producing appliances. (The combined inputs must not exceed 80% of those shown in the graph in Section 6)

# SANICUBIC 1

## 6. Performance Curve



## 7. Ratio of Height / Length for Discharge



# SANICUBIC 1

## 8. Installation

The **SANICUBIC 1** must be installed in compliance with standard **EN12056**. The equipment must be commissioned and maintained by a qualified professional specialist.

Please refer to installation standard **EN 12056**.

### 8-1. Important Installation Specifications

1. **Attention:** the space in which the **SANICUBIC 1** is to be installed must be large enough to leave at least 600 mm of working room around and above the unit to facilitate such maintenance work as may be required. There must be sufficient lighting and it must be sufficiently well ventilated and protected from freezing.

2. **Isolation valves must be fitted on the 50mm discharge pipe work and on all inlet pipe work including WCs and other sources. This is required by the standard EN 12056 and to allow any possible maintenance work to be carried out without serious flooding.**

**Note:** **If isolation valves are not fitted service/maintenance may be impossible and any associated costs will not be covered by the Saniflo warranty. 4"/110mm and 2"/50mm isolation valves are available on the market but you may also purchase a suitable isolation valve kit direct from Saniflo Ltd. Please call 0208 842 0033'**

3. The discharge pipe must be fitted so as to avoid all back flow from the drainage system (see the example drawings in **Section 8-2**). Back flow can be avoided by installing an anti-back flow riser reaching a high point above the maximum back flow level.

**Comment:** In the absence of local information to the contrary, the maximum back flow level corresponds to street level (roadway, pavements, etc.). Continue the discharge pipework after the anti-backflow riser using a larger diameter pipe.

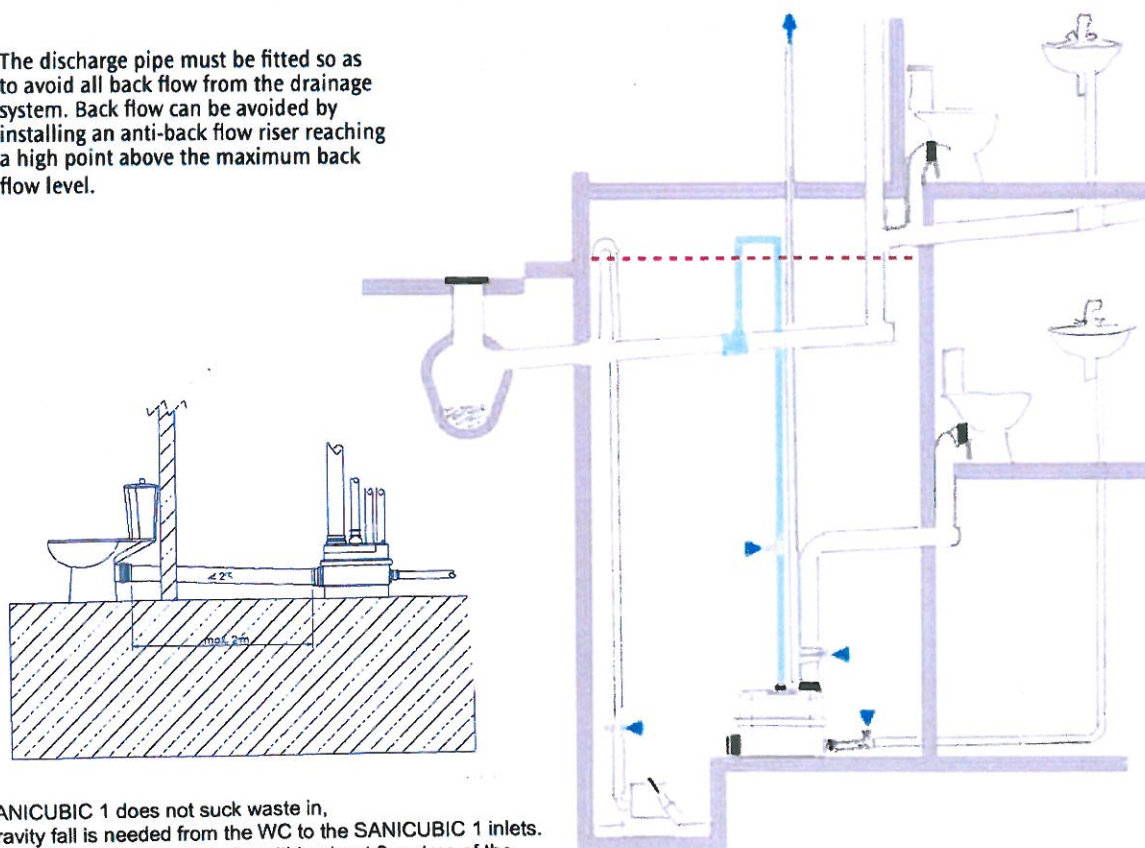
4. If the Sanicubic is installed in a space such as a pit for example, we would recommend the fitting of a bilge pump in case of flooding.

5. **The Sanicubic must be vented with an outlet at roof level. The vent should be taken from one of the two 40mm connections located either side of the 50mm discharge outlet. The Sanicubic will not be able to operate at all if this vent connection is not opened up! Do NOT fit air admittance valve on the top of the air vent pipe. The vent must be an open vent or the unit will not operate.**

6. The lifting station must be fixed to the floor (see paragraph in **Section 8-8**).

### 8-2. Installing the anti backflow loop

The discharge pipe must be fitted so as to avoid all back flow from the drainage system. Back flow can be avoided by installing an anti-back flow riser reaching a high point above the maximum back flow level.



The SANICUBIC 1 does not suck waste in, so a gravity fall is needed from the WC to the SANICUBIC 1 inlets. To do this the WC s will have to be within about 2 metres of the SANICUBIC 1

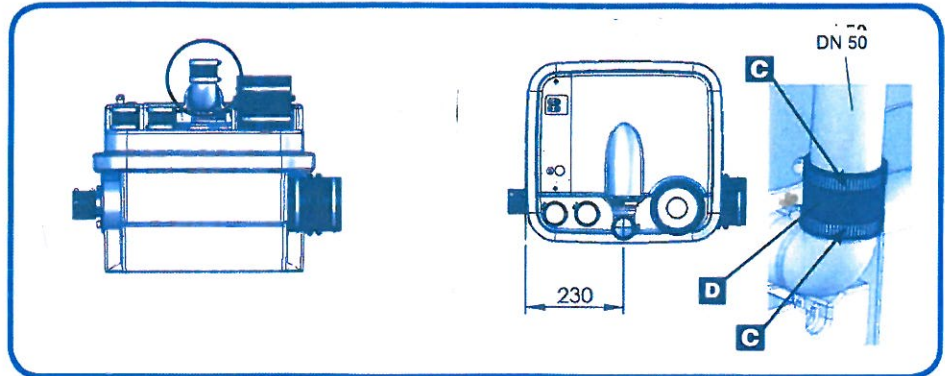
# SANICUBIC 1

## 8-3. Connecting the Discharge Pipe

Remove the end cover or covers from the back of the unit, see **Section 8-2 (1)**. As the pump is fitted with a macerator system, a **DN50 mm** discharge pipe be used.

The discharge bend is at the centre of the unit, at the back, see diagram to the right. Use the sleeve (**D**) to connect it to the riser pipe and fix it in place with the collars.

The pump in the **SANICUBIC 1** unit is fitted with check valve. See paragraph in **Section 8-1** regarding control valves and back flow.



## 8-4. Connecting Sanitary Equipment to the Lower Inlets



If you want to install a shower or a bath at the same level as the **SANICUBIC 1** you must make sure that the upper parts of the plugholes on the sanitary equipment are at least 250 mm above the lower inlets. It is also very important that you fit an in-line non return valve between the shower tray and the Sanicubic inlet.

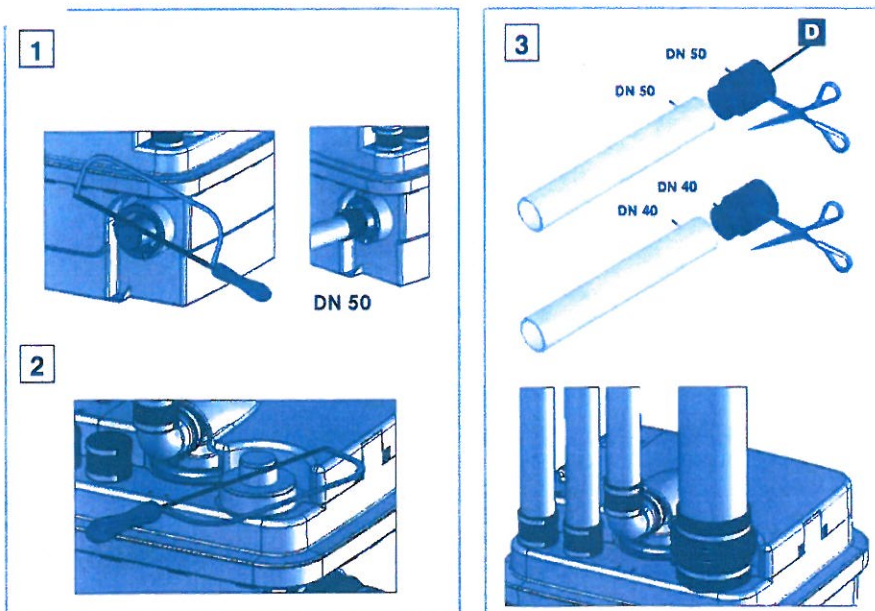
**Sanicubic is not suitable for disposal of waste containing grease and fat. It is likely to cause blockages in the activation pressure tubes unless a full grease trap is installed. For kitchen waste please use Sanispeed or Sanicom.**

## 8-5. Connecting the Inlets DN 40/50

**Lower inlets (dia.1)**

**Upper inlets (dia.2)**

- Cut off the end of the DN 50 inlet with a saw.
- Cut the sleeve (**D**) to suit the pipe diameter: DN 40 or DN 50 (**dia.3**).
- Fix the sleeve on the inlet and on the pipe, using the collars.



# SANICUBIC 1

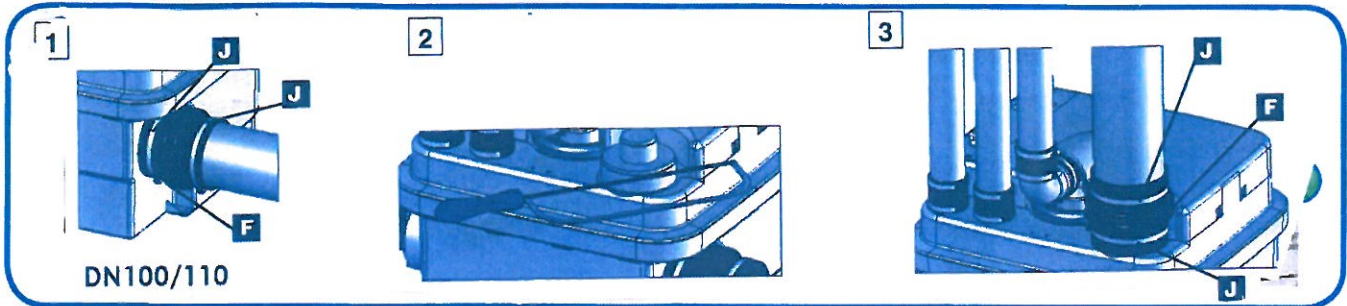
## 8-6. Connecting the DN 100/110 Inlet

### Lower inlets (dia 1)

- Remove the plug from the side inlet.
- Fix the sleeve (F) in place using the collar (J).
- Fully insert the DN 100/110 tube in the other end of the sleeve and fix it in place using the other collar (J).

### Upper inlets (dia 2)

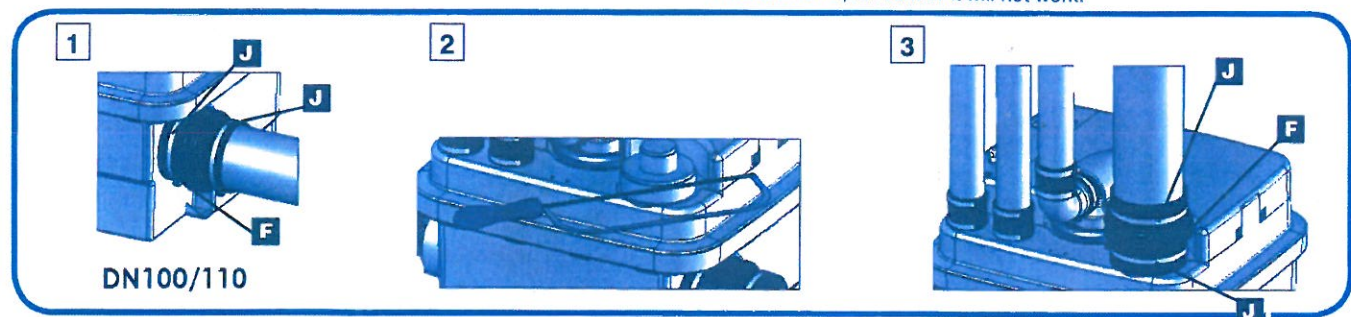
- Cut off the upper end of the DN 100 inlet with a saw.
- Fix the sleeve (F) in place using the collar (J).
- Fully insert the DN 100/110 tube in the other end of the sleeve and fix it in place using the other collar (J).



## 8-7. Connecting the Vent

One of the upper DN50 inlets must be used for the vent. The vent pipe must be fitted up to roof level. Cut off the end of the one of the DN50 inlets with a saw.

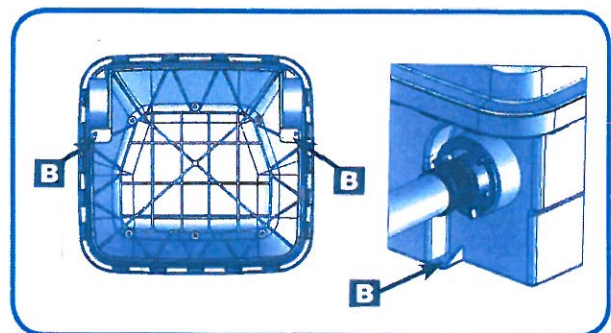
Then fix the sleeve (D) in place using the collar (C). Fully insert the DN40 tube in the other end of the sleeve and fix it in place using the other collar (C). **WARNING;** do not fit air admittance valve. It must be an open vent or it will not work.



## 8-8. Fixing the SANICUBIC® Pro to the floor

The SANICUBIC 1 unit is equipped with fittings to hold it on the floor and prevent it from turning or moving.

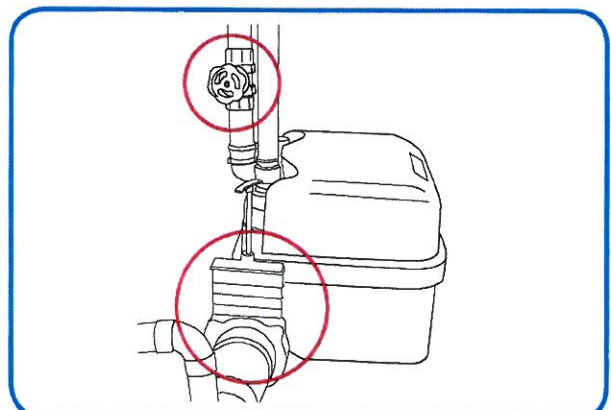
- 1 Place the unit on the desired spot.
- 2 Draw the outline of the unit.
- 3 Position the brackets and fix them to the floor as shown on the template diagram to the right.
- 4 Put the unit back in place.
- 5 Fix the unit in place with the screws.



## 8-9. Isolation valves

Service /maintenance is only possible if all inlets can be isolated.

**4"/110mm and 2"/50mm isolation valves are available on the market but you may also purchase a suitable isolation valve kit direct from Saniflo Ltd. Please call 0208 842 0033.**



# SANICUBIC 1

## 8-10. Electrical Connections



The electrical installation should be carried out by a qualified person.



CANADA  
USA

EUR

CH

GB

The electrical installation must comply with standards in force in the country concerned.

The power supply must be of the class 1 type. The unit must be connected via an earthed connection box. The electric power circuit must be protected by a high sensitivity 30 mA differential circuit breaker set at 20 A. The connection must be solely used to power the SANICUBIC 1. If the power lead on the unit is damaged, it must be replaced by the manufacturer or its after-sales service to avoid any danger.

## 9. Alarm Operation

**SANICUBIC®1**  
**Société Française d'Assainissement**  
**EN 12050-1**

**R300**  
**220-240 V - 50 Hz**  
**3000 W - ⚡**



### ALARM OPERATION

1/ General alarm:

High level alarm:

If the water level inside the appliance is unusually high, the red alarm LED will light up.

Time alarm:

If the motor runs for over 1 minute, the red alarm LED will light up.

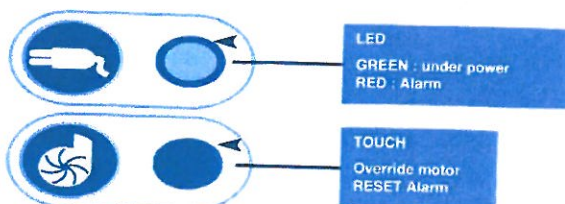
2/ resetting the general alarm:

The control panel button can only switch off the red LED (it turns green) if the problem causing the alarm is resolved.

3/ Mains alarm:

If the green LED on the control panel is flashing, it means that the mains electrical power has temporarily been cut off.

### UNIT ALARM



# SANICUBIC 1

## VENTING THE ELECTRICAL CONTROL PANEL

Connect the 8/11 clear PVC tubing supplied to the keyboard on the SANICUBIC1. The other end of this tubing must be located between 1 metre and 2 metres above the device to avoid getting water into the electrical control panel in the event of surcharge of the incoming waste.

Important: ensure that the tube is not pinched or kinked.

## 10. Conformity with standards

- **SANICUBIC 1** complies with standard EN 12050-1 (lift station for household waste containing faeces) and with the European directives covering construction products, electrical safety and electromagnetic compatibility

This unit must be installed and used in compliance with European installation standard EN12056 and with local requirements.

## 11. Commissioning

- 1 Once the plumbing and electrical connections have been made, check that the connections are watertight by letting water flow successively through each inlet used. Make sure that the unit is operating correctly by carrying out at least two start cycles with water to test the system.
- 2 **WARNING!** When connected to the power supply, the green 'mains' LED will flash. Press the button on the control panel and the green LED will show continuously. Operation without water damages the maceration system.

## 12. Use

- 1 The **SANICUBIC 1** unit is designed to drain off 2 WCs & waste water. Any other use will invalidate the guarantee. Do not dispose of sanitary towels, condoms, hygiene articles, oils, solvents, acids, or any other potentially corrosive or explosive liquids etc, via the unit.
- 2 **Warning!** In the event of a power failure, stop draining any water from the equipment connected to the **SANICUBIC 1** unit.
- 3 Do not install or use the unit in a zone where there is a risk of explosion.

## 13. Maintenance

A visual check of the lift station must be made once a month to make sure it is operating correctly, and the installation must be inspected regularly (once a year) by a qualified person. Meanwhile, if any technical problems are experienced, please call our after sales service.

## 14. Guarantee

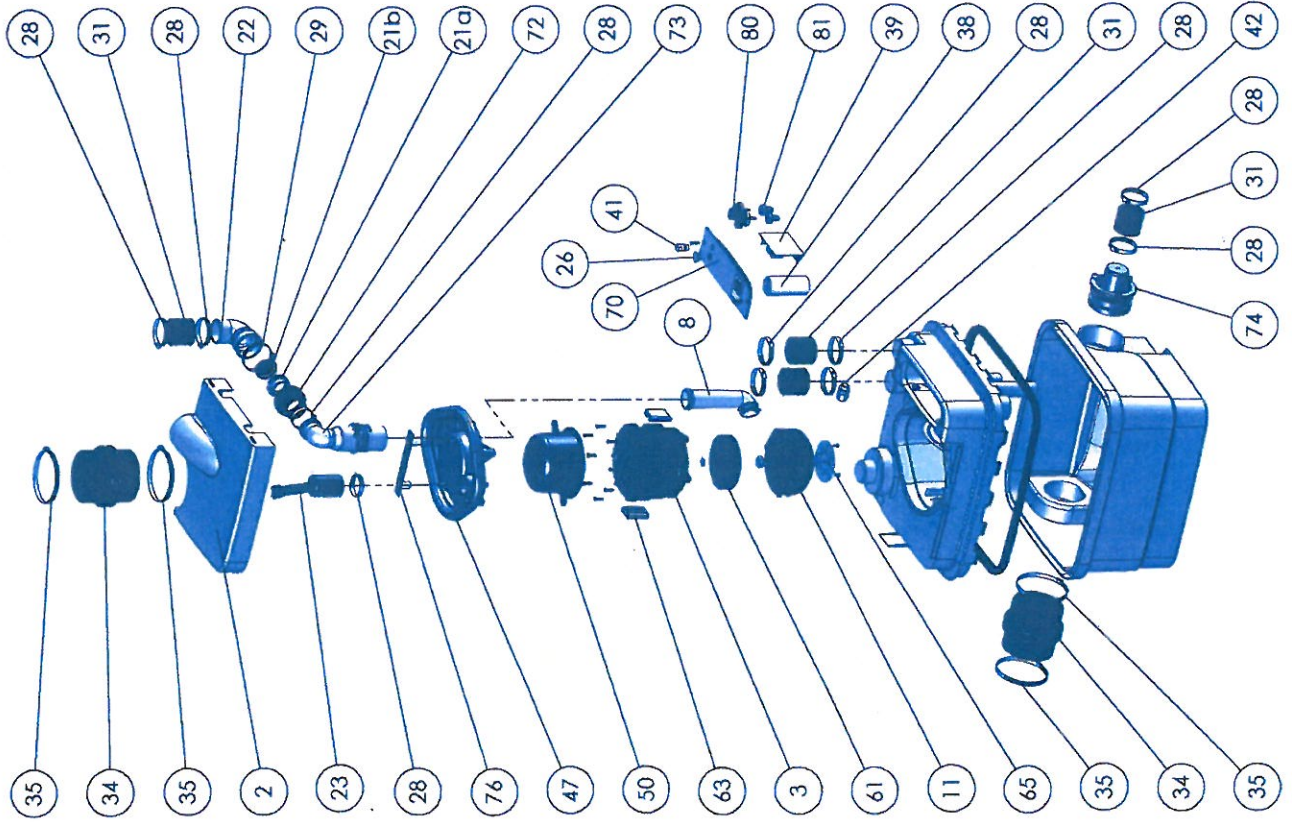
The **SANICUBIC 1** unit is guaranteed for two years (parts and labour) provided that it has been installed and used in compliance with the present instructions.

Saniflo Ltd, Howard House, The Runway, S Ruislip. Middx HA4 6SE

For technical advice or service please call 0208 842 0033 or service linkline 08457 650011 from a landline to connect to your nearest local service engineer.



# SANICUBIC 1



**FRANCE**  
**SOCIETE FRANCAISE D'ASSAINISSEMENT**  
 8, rue d'Aboukir  
 75002 Paris  
 Tel. 01 44 82 39 00  
 Fax 01 44 82 39 01

**UNITED KINGDOM**  
**SANIFLO Ltd.**  
 Howard House,  
 The Runway  
 South Ruislip  
 Middx.,  
 HA4 6 SE  
 Tel. 020 8842 0033 / 4040  
 Fax 020 8842 1671

**IRELAND**  
**SANIRISH Ltd**  
 IDA Industrial Estate  
 Edenderry  
 County Offaly  
 Tel. + 353 46 9733 102  
 Fax + 353 46 97 33 093

**AUSTRALIA**  
**SANIFLO AUSTRALIA**  
 Unit 7, 15 Howleys Road,  
 Notting Hill  
 P.O. Box 5122  
 Pinewood Victoria 3149  
 Melbourne  
 Tel. +61 3 9543 3891  
 Fax +61 3 9543 6851

**DEUTSCHLAND**  
**SFA SANIBROY GmbH**  
 Waldstr. 23 Geb. B5  
 63128 Dietzenbach  
 Tel. (060 74) 30928-0  
 Fax (060 74) 30928-90

**ITALIA**  
**SFA ITALIA spa**  
 Via del Benessere, 9  
 27010 Sizzano (PV)  
 Tel. 03 82 61 81  
 Fax 03 82 61 8200

**ESPAÑA**  
**GRUPO SFA**  
 C/ Vinyalets, 1  
 P.I. Can Vinyalets  
 08130 Sta. Perpètua de  
 Mogoda - Barcelona  
 Tel. +34 93 544 60 76  
 Fax +34 93 462 18 96

**PORTUGAL**  
**SFA Lda**  
 Av 5 de Outubro, 10 -1°  
 1050-056 Lisboa  
 Tel. +351 21 350 70 00  
 Fax +351 21 957 70 00

**SUISSE SCHWEIZ SVIZZERA**  
**SFA SANIBROY AB**  
 SWITZERLAND  
 Steffenstrasse 6  
 CH-8954 Geroldswil  
 Tel. +41 44 748 17 44  
 Fax +41 44 748 17 43

**BENELUX**  
**SFA BENELUX B.V.**  
 Voltweg 4  
 6101 XK Echt  
 Tel. +31 475 487100  
 Fax +31 475 486515

**SVERIGE**  
**SANIFLO AB**  
 BOX 797  
 S-191 27 Sollentuna  
 Tel. + 08-404 15 30  
 Fax + 08-404 15 39

**POLSKA**  
**SFA POLAND**  
 ul. Kolejowa 33  
 05-092 Łomianki/Mazowiec  
 Tel. (+4822) 732 00 32  
 Fax (+4822) 751 35 16

**РОССИЯ**  
**SFA РОССИЯ**  
 101000 Москва  
 Колпачный пер.  
 9а, ком. 103  
 Тел. (495) 258 29 51  
 факс (495) 258 29 51

**ČESKÁ REPUBLIKA**  
**SFA-SANIBROY, spol. s r.o.**  
 Na Košince  
 180 00 PRAHA 8 - Libeň  
 Tel. : +420 266 712 855  
 Fax : +420 266 712 856

**ROMANIA**  
**SFA SANIFLO S.R.L.**  
 Strada Leonard Nicolae, nr.2A  
 Timisoara, 300454  
 Tel. +40 256 245 092  
 Fax +40 256 245 029

**利和保**  
 宁波舒福安卫浴设备有限公司  
 宁波市鄞州区雅源南路480号(31515)  
 T. 0574 - 8817 1777  
 F. 0574 - 8728 1907

## SERVICE HELPLINES

TEL	FAX
08457 650011 (Call from a land line)	03 44 94 46 19
1850 23 24 25 (LOW CALL)	020 8842 1671
+61 3 9543 3891	+353 46 97 33 093
0800 82 27 82 0	+61 3 9543 6851
0382 6181	(060 74) 30928-90
+34 93 544 60 76	+39 0382 618200
+351 21 350 70 00	+34 93 462 18 96
+41 44 748 17 44	+351 21 957 70 00
+31 475 487100	+41 44 748 17 43
08-744 15 18	+31 475 486515
(+4822) 732 00 33	08-744 15 18
(495) 258 29 51	(+4822) 751 35 16
+420 266 712 855	(495) 258 29 51
+40 256 245 092	+420 266 712 856
+0574 - 8817 1777	+40 256 245 029
	+0574 - 8728 1907